



Push Button Switch With LED L Series



Feature


- High Bright LED illumination
- Long life
- Good Actuation Feeling

Applications

Communication Equipments, Instrumentation

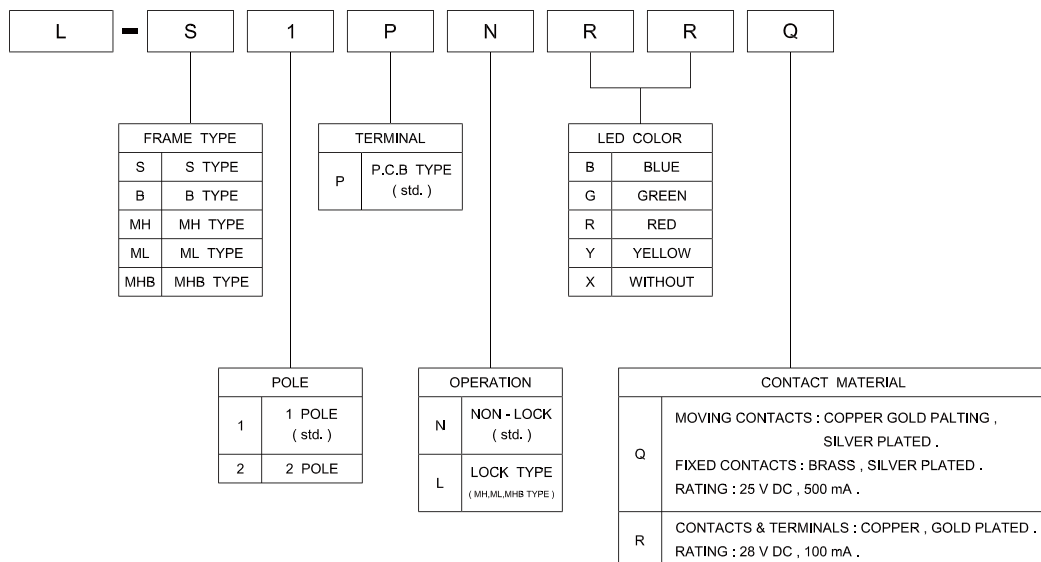
Specifications

SWITCH SPECIFICATIONS	
POLE - POSITION	ON - < ON > for Momentary Type , ON - ON for Self - Lock Type SPDT , DPDT
CONTACT RATING	SEE CONTACT MATERIAL
CONTACT RESISTANCE	50 mΩ max . (SILVER CONTACT) ; 100 mΩ max . (GOLD PLATING CONTACT) , 1.5 V DC ; 100 mA , by Method of Voltage DROP
INSULATION RESISTANCE	100 MΩ min . 500 V DC
DIELECTRIC STRENGTH	Breakdown is not Allowable ; 1000 V AC for 1 Minute
OPERATING FORCE	200 ± 100 gf (SPDT) 300 ± 150 gf (DPDT)
OPERATING LIFE	10,000 cycles (SILVER CONTACT) 200,000 cycles (GOLD PLATING CONTACT)
OPERATING TEMPERATURE RANGE	-20°C ~ 70°C
TOTAL TRAVEL	2.2 ± 0.2 mm

LED SPECIFICATIONS				
 ATTENTION (+) (-) LEDs are Electrostatic Sensitive devices	Unit	Value / LED Color		
		Green	Red	
FORWARD CURRENT	If	mA	30	15
REVERSE VOLTAGE	Vr	V	5.0	5.0
REVERSE CURRENT	Ir	μA	10	10
FORWARD VOLTAGE@20mA	Vf	V	1.7-2.6	1.7-2.6
LUMINOUS INTENSITY@20mA	Iv	mcd	6	4

Physical and electrical information of LED will be provided upon customer's request on switches.

How To Order

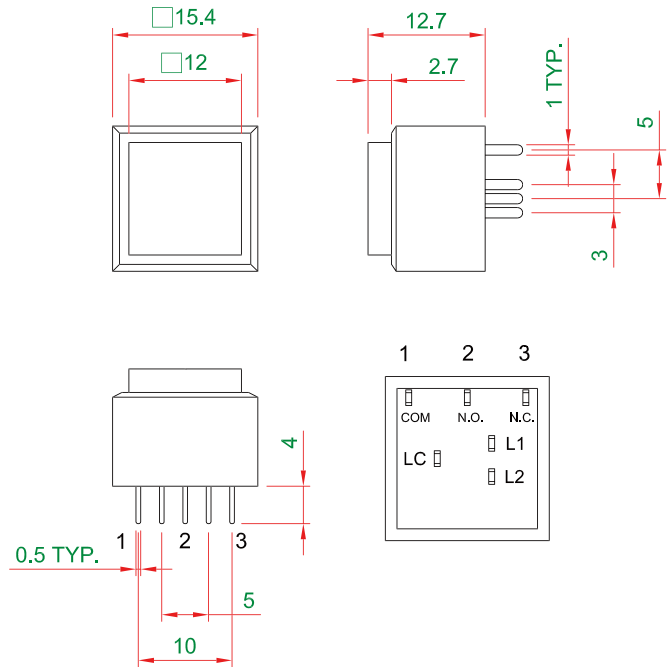




Dimension & Frame Type



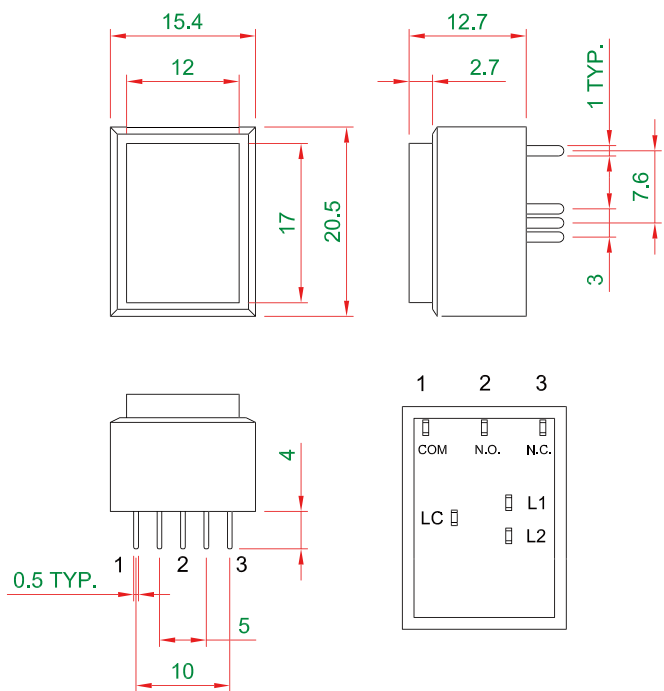
L - S1PN □ □ Q



Dimension & Frame Type



L - B1PN □ □ Q

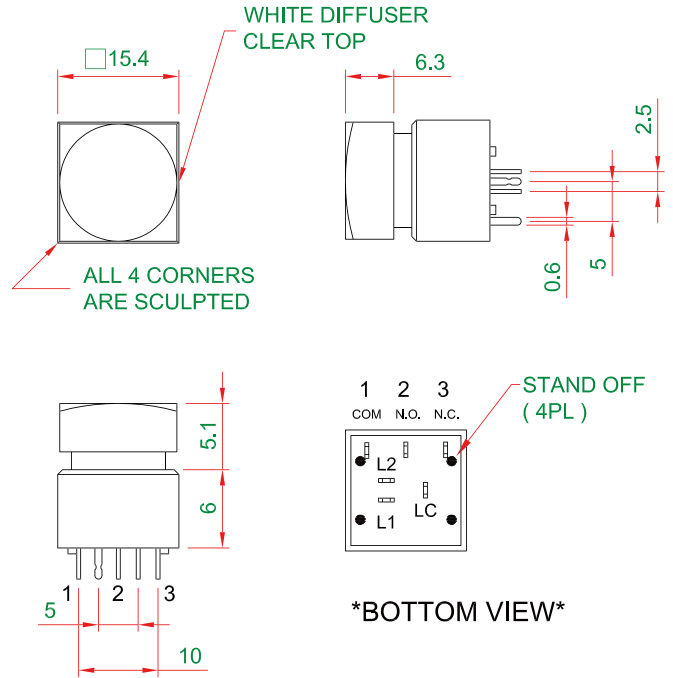




Dimension & Frame Type



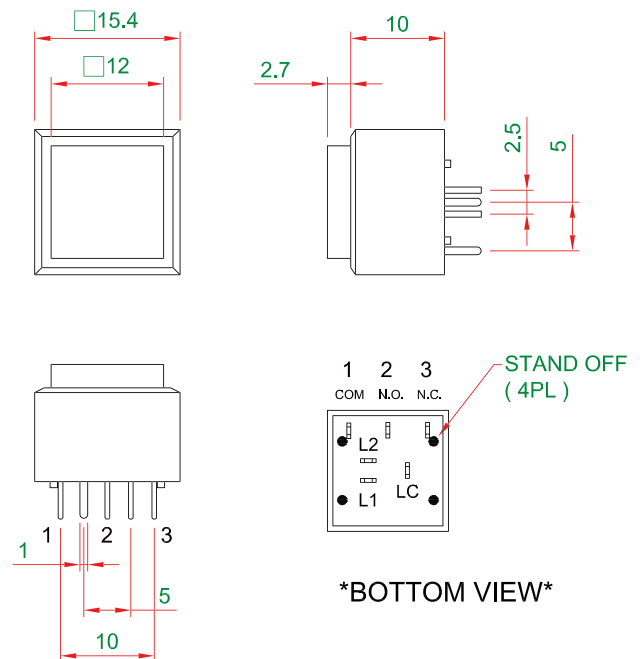
L - MH1PN □ □ Q



Dimension & Frame Type

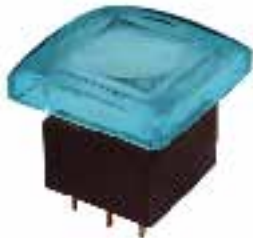


L - ML1PN □ □ Q

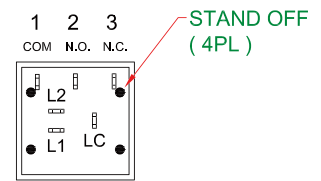
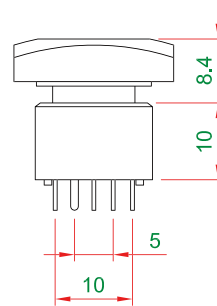
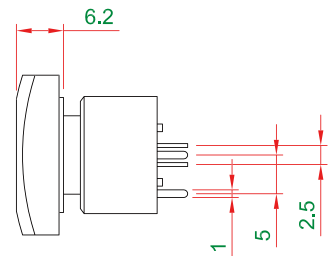
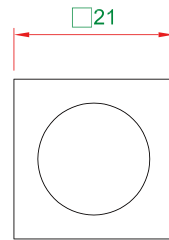




Dimension & Frame Type

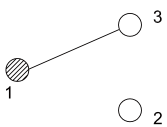


L - MHB1PN□□Q

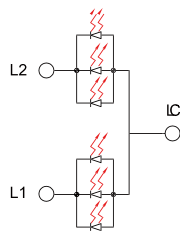


BOTTOM VIEW

Schematic

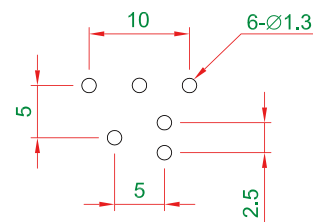


SWITCH



LED

Pole&Length



Material

- COVER - PC
- ACTUATOR - POM
- BASE FRAME - PA + GF
- TERMINAL - BRASS SILVER PLATING ; BRASS GOLD PLATED

Unit Weight

- L - S1PN□□Q : 2.5 ± 0.05 g / pcs
- L - B1PN□□Q : 3.0 ± 0.05 g / pcs
- L - MH1PN□□Q : 3.4 ± 0.05 g / pcs
- L - ML1PN□□Q : 2.5 ± 0.05 g / pcs
- L - MHB1PN□□Q : 4.0 ± 0.05 g / pcs